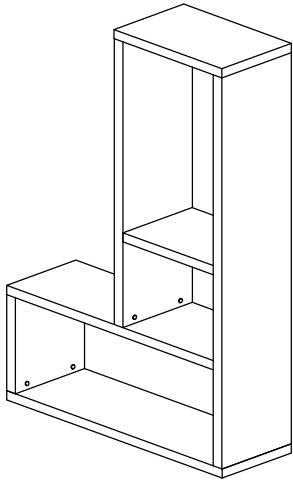
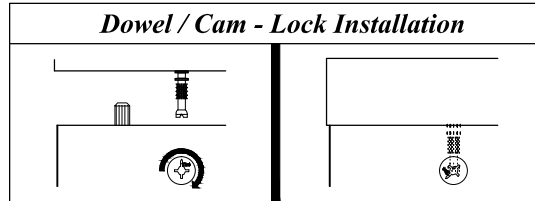


Assembly Instruction

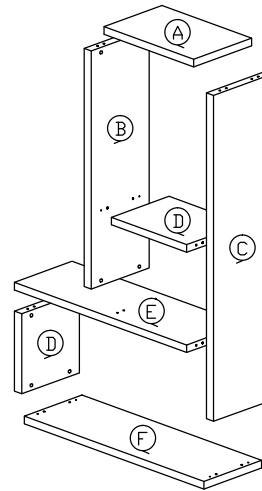
Model : CB - 3



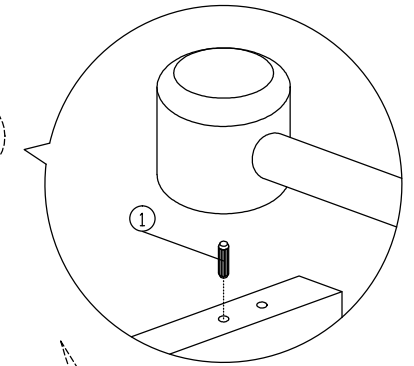
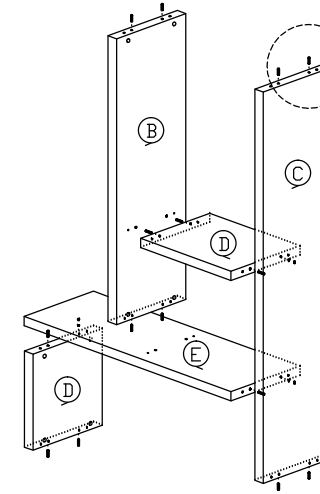
Hardware List			
No.	SHAPE	DESCRIPTION	Qty.
1		8x25mm Wood Dowel	18Pcs
2		15MM Titus Mini Fix	18Sets
3		15mm Minifix Cap	18Pcs
4		Nail Leg	4Pcs



Part List



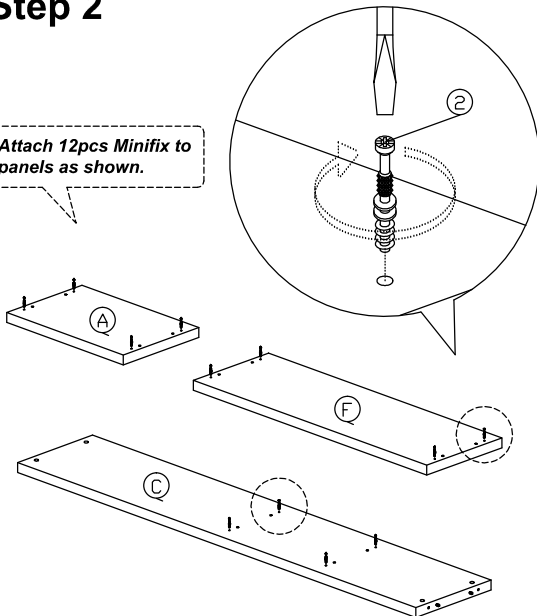
Step 1



*Install 18pcs Wood Dowel into all panels as shown.

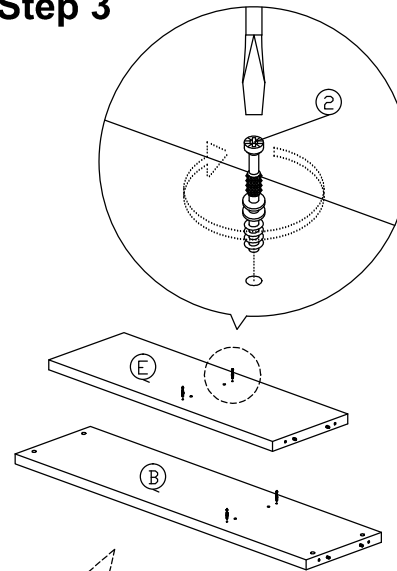
Step 2

*Attach 12pcs Minifix to panels as shown.



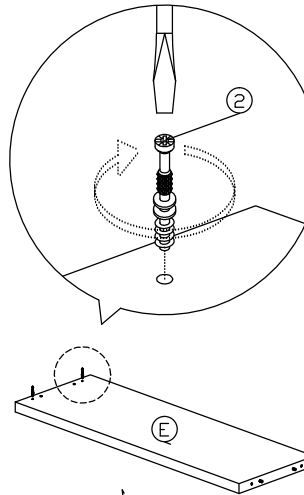
Step 3

*Attach 4pcs Minifix to panels as shown.



Step 4

*Attach 2pcs Minifix to panels as shown.



Step 5

*Assemble panels, secure with Minifix as shown below.

